

Cinderella[®]

 Made in Norway

CINDERELLA TRAVEL

Model Cinderella Travel



Cinderella Travel Owner's Manual For North America

English, Français

CONTENTS

Safety	3
Gas in caravan/motor homes.....	3
General information about safety in Cinderella Travel.....	3
Technical information	4
Description	4
How the toilet works	6
Use (operation)	6
Before use	6
Using the toilet	6
General information about the use of Cinderella Travel	6
Emptying the ash container	7
Winter use	8
Light signals.....	8
Maintenance	9
Cleaning the ash container.....	9
Cleaning the bowl.....	9
Cleaning the catalytic converter.....	10
Troubleshooting	11
Resetting the thermal switch	12
Warranty	13

SAFETY

READ INSTRUCTIONS CAREFULLY! PLEASE KEEP THIS OWNER'S MANUAL FOR FUTURE USE.

GAS IN CARAVAN/MOTOR HOMES

Use and storage of gas requires caution. Check bottle, hoses, tubes and attachments before use.

People live in close proximity on campsites and use combustible materials, stoves, grills and other sources of ignition. Therefore, it is recommended that you familiarize yourself with the campsite's safety rules and make sure you have a working smoke detector and fire extinguisher in your caravan.

Propane tanks should always be upright and must never be exposed to abnormal heat or strong solar heat. Be aware of potential propane leaks. Remember that propane is heavier than air. In the event of leakage, the gas will therefore remain at floor level inside the vehicle. Gas leaks can make air explosive and can be ignited by open flames, smouldering tobacco or an electric spark.

Find leaks by brushing soapy water onto hoses and pipe fittings. When you open up for the gas, bubbles will form where the gas is leaking. If a leak is identified, the gas supply must be shut off. Do not use the toilet until the leak has been fixed.

Turn off the gas at the tank when the unit is not in use, and remember to disconnect the regulator during long periods of absence.

It is recommended that you install a gas detector in the housing unit if one has not already been fitted.

The vehicle can be driven while the toilet is incinerating. For safety, we recommend installing a gas pressure regulator with crash sensor close to the gas bottle or gas tank.

Always keep the gas appliance in good condition, but do not attempt to repair any damage or defects yourself.

In the event of a fault, contact your supplier.

GENERAL INFORMATION ABOUT SAFETY IN CINDERELLA TRAVEL

Cinderella Travel is equipped with various safety features:

- The gas supply is always shut off via an electronically controlled valve when the toilet is not in incineration mode.
- The system monitors the incineration and a flame sensor detects whether there is fire in the burner. If the burner fails to ignite, the gas supply will be shut off and an alarm will be triggered using sound and lights.
- The flame sensor shuts off the gas supply if the flame goes out due to blow-back in the burner or an imbalance in the gas/air ratio.
- The flap in the bowl and hatch to the incineration chamber will not open until the toilet lid is closed. This prevents access to the incineration chamber.
- The incineration is shut off when the toilet lid is open.
- If the temperature inside the toilet chamber becomes too high, the thermal switch is released and incineration is halted. The thermal switch must be reset manually before the toilet can be used again. See section on troubleshooting.
- The outer shell of the toilet is made of a fire-retardant composite material.
- Incineration is disabled if the ash container is not in the correct position.
- The fan in the toilet is programmed to run until the temperature inside the incineration chamber has cooled down sufficiently.
- The incineration chamber and exhaust pipe are insulated with material capable of withstanding high temperatures.
- All toilets are tested prior to distribution.

CERTIFICATIONS AND APPLICABLE STANDARDS

This appliance has been tested and certified by UL under the standards ANSI Z21.61 Gas-fired toilets, Edition 2 01/01/1983 & CSA CGA 5.2, Gas fired toilet, 12/1971. The installation also has to comply with state and local codes, including the following standards as applicable:

USA:

- ANSI/NFPA70, National Electric code (NEC)
- ANSI/NFPA 1192, Recreational Vehicle Code
- Title 24 CFR, Part 3280, Manufactured Home Construction And Safety Standard
- National Fuel Gas Code, ANSI Z223.1/NFPA 54

CANADA:

- CSA C22.1, Parts 1 & 2, Canadian Electrical Code
- CSA Z240 RV Series, Recreational Vehicles
- CSA Z240.4, Gas-Equipped Recreational Vehicles and Mobile Housing
- CSA B149.1, Natural Gas and Propane Installation Code CERTIFICATION

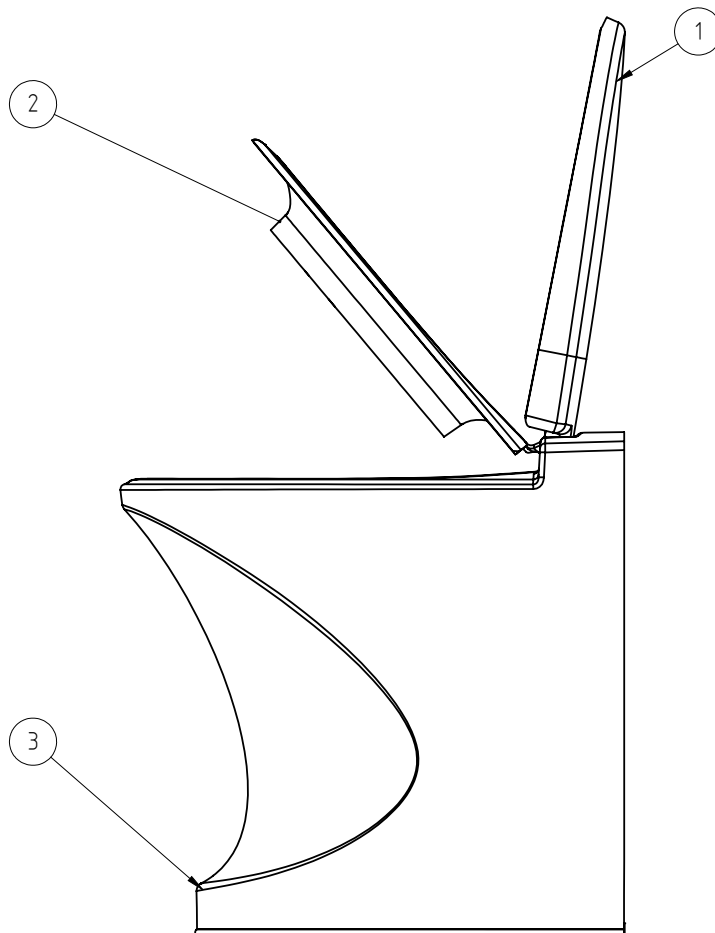
TECHNICAL INFORMATION

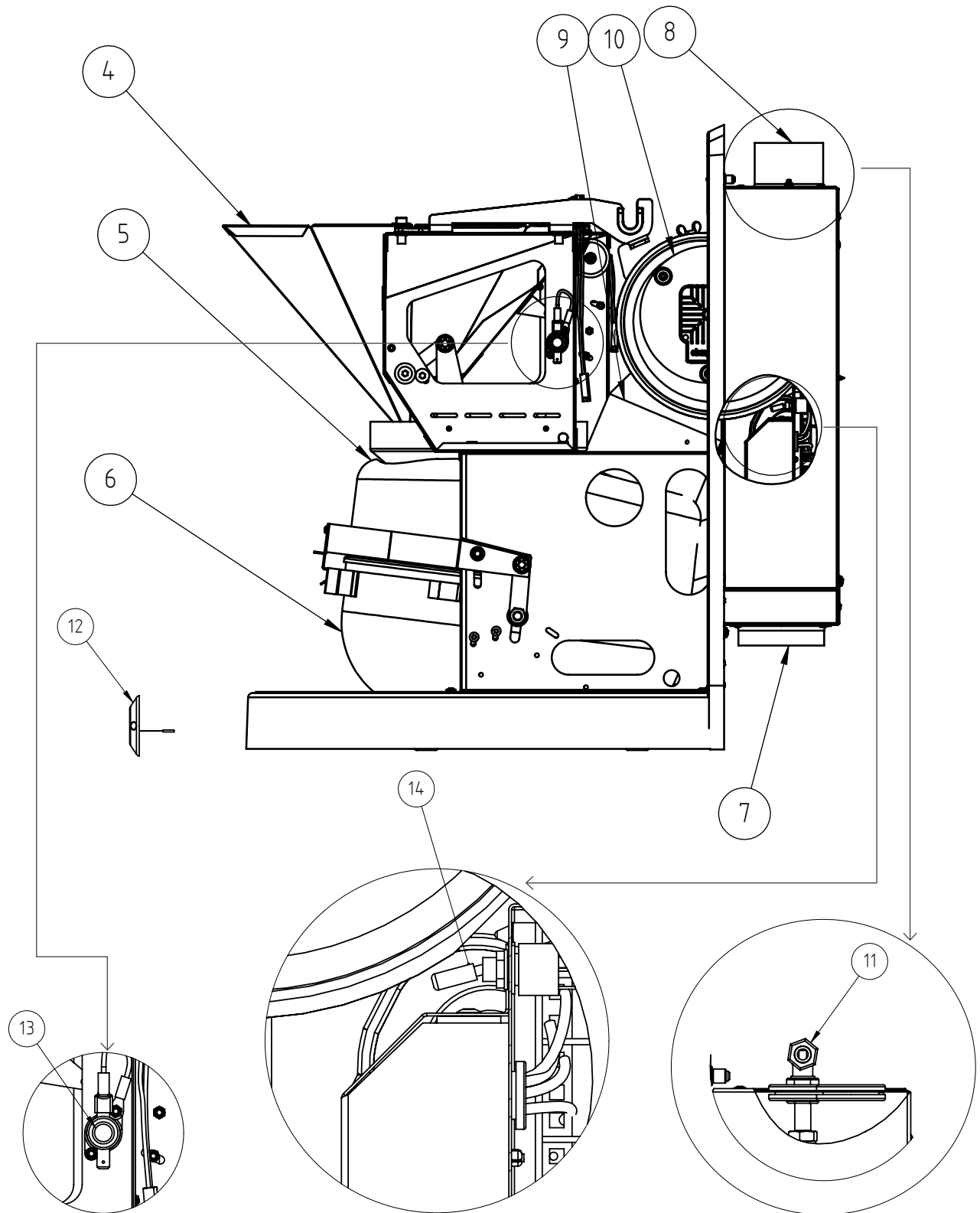
Weight	44 lbs (20 kg)
Height	21 1/4" (540 mm)
Seat height	19 19/64" (490 mm)
Width	15 3/8" (390 mm)
Depth	23 1/4" (590 mm)
Capacity	3-4 visits per hour
Standby Power Consumption	0.005 Amp
Peak load	4.0 Amp
Power consumption (incineration)	1.3 Amp
Gas consumption	140-180 g per incineration
Exhaust fan	12V DC
Gas	Propane (12 in. WC pressure)
Electrical power supply	12V DC / 4 Amp (11-14.4V)
Maximum burner effect	10.500 BTU/h

WARNING!

Do not use the toilet more frequently than the maximum capacity indicated. This will lead to the incineration chamber overflowing, smelling or leaking and can cause damage to the toilet.

DESCRIPTION





1	Lid	8	Exhaust
2	Seat	9	Catalytic converter
3	Shell	10	Fan
4	Bowl	11	Gas connection
5	Incineration chamber	12	Control panel
6	Ash container	13	High temperature protection
7	Air inlet	14	Main power switch

HOW THE TOILET WORKS

When the toilet visit is over, the bowl liner with its contents is released into the incineration chamber. High heat and air are added causing the liquid to evaporate and the remaining waste is burnt and turned into ash. Residual heat and fumes are emitted via the exhaust pipe. A catalytic converter prevents unpleasant odours.

USE (OPERATION)

BEFORE USE

1. Make sure the power supply is connected.
2. Make sure the gas is connected.
3. Use only propane / LPG.

USING THE TOILET

1. Lift up the lid and the seat. The red light flashes and the green light is illuminated. The exhaust fan will start automatically.
2. Place the bowl liner inside the bowl, ensuring that the liner's seam is in line with the "seam" of the bowl. Remember to use a new bowl liner for each visit (Illustration 1).
3. Put the seat down. The toilet is ready for use (Illustration 2).
4. Use the toilet. For small amounts of waste, add a cup of water to make the liner heavy enough to slide down into the incineration chamber.
5. Close the toilet lid.
6. Press the start button (Illustration 3). When the hatch closes, the incineration begins. The toilet is then ready for use again.
7. A yellow light on the control panel indicates that incineration is in progress. The light will illuminate throughout the duration of the incineration process.

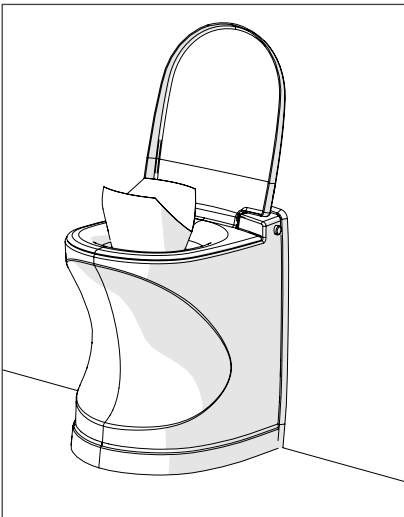


Illustration 1

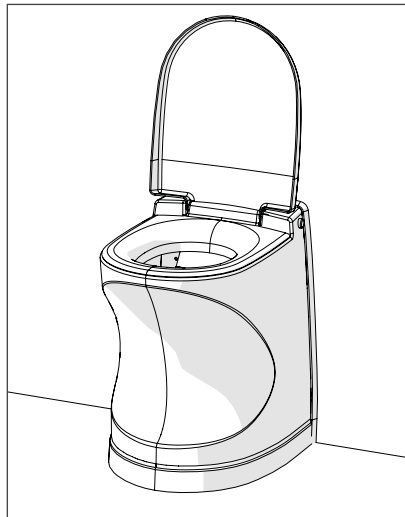


Illustration 2

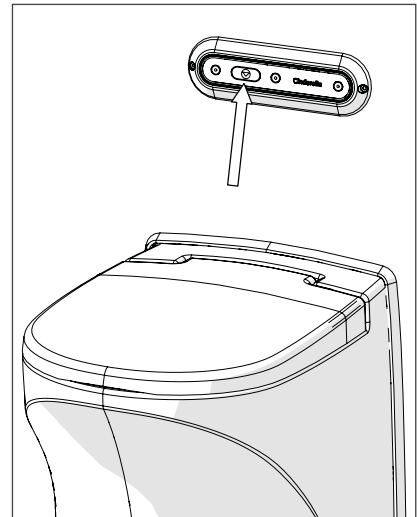


Illustration 3

GENERAL INFORMATION ABOUT THE USE OF CINDERELLA TRAVEL

Make sure the ash container is in the correct position.

1. Always place a bowl liner in the bowl before use.
The toilet lid must always be closed when the toilet is not in use.
2. Incineration cannot commence until the lid is down in closed position.
3. If the lid is opened, any active incineration will stop. The toilet is then ready for use. After each visit, the incineration is re-started by pressing the start button on the control panel. The toilet will automatically detect when the incineration has finished.
4. The yellow light on the control panel switches off when the incineration ends. The fan stops when the temperature in the incineration chamber has cooled down sufficiently (1-1.5 hours after incineration ends).

EMPTYING THE ASH CONTAINER

It is recommended that you empty the ash container once a week or when the signal (alternating yellow and red flashing lights on the control panel) to empty it appears after approximately 70 incineration cycles.

1. Wait until the toilet has cooled down and the fan has stopped. Do not turn the 12V power off.
2. Pull the toilet's shell out from its connection to the rear wall. To assist you in pulling the shell, hook your fingers around the "buttons" (Illustration 4).
3. The shell will automatically move out and up with the help of the inside lifting mechanism, and then remain in the service position.
4. Loosen the locking spring and lift the latch at the front of the ash container (Illustration 5).
5. Pull out the ash container. Remove the insert from the ash container and empty out the ash (Illustration 6).
6. Clean off any urine salts and burnt-on residue from the insert. Read how to clean the insert in the most effective way in the section on "Maintenance".
7. Place the insert back in the ash container.
8. Push the ash container all the way in so that it can be locked into position.
9. Pull the latch back into position and click the ash container into place.
10. Lower the shell by pressing both hands against the back part of the top of the toilet lid (Illustration 7). Make sure that the frame in the toilet wall (the white trim) surrounds the edge of the shell.

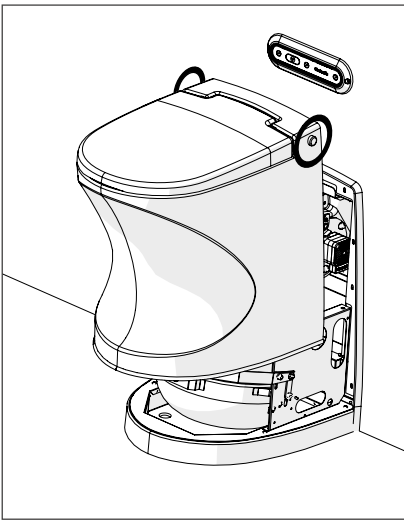


Illustration 4

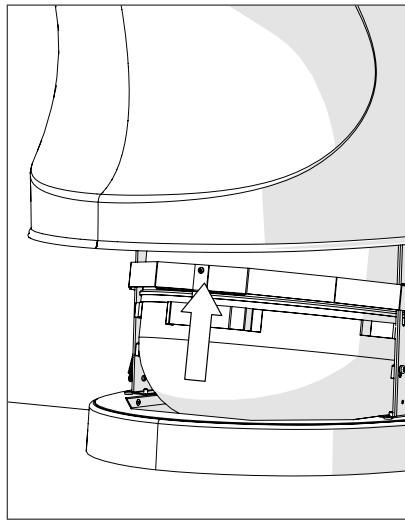


Illustration 5

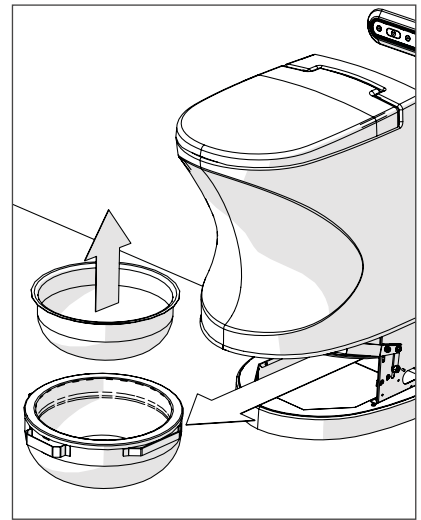


Illustration 6

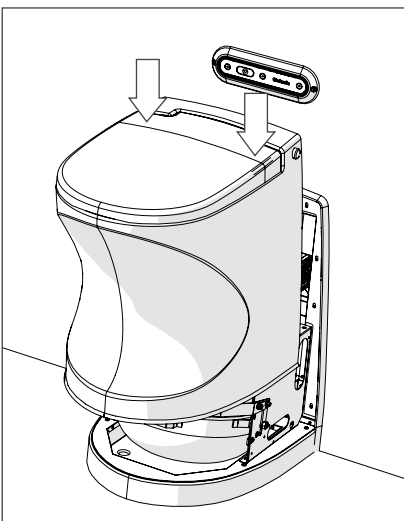


Illustration 7

NOTICE!

The ash remains are clean and devoid of bacteria and pathogens. They can normally be emptied as household waste. There may be restrictions in certain countries, however, so please familiarize yourself with the relevant regulations in the country you are localized in and dispose of the ash accordingly.

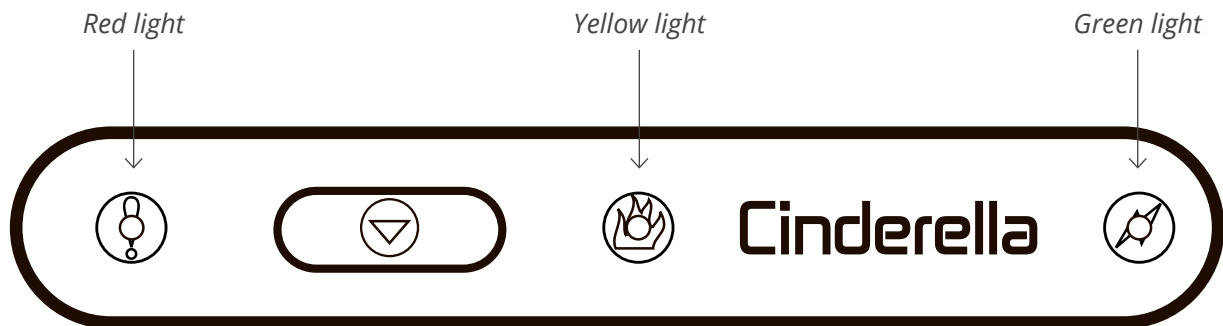
WINTER USE

In the event that the unit will be used in an area where snow is likely to build up on the roof of your motor home/caravan, please use the exhaust extension provided. This will ensure that the exhaust does not get blocked with snow, which would reduce air circulation and impair incineration.

NOTE! Remember to remove the extender during transport.

LIGHT SIGNALS

There are three lights on the control panel: red, yellow and green. When one of these lights is on, it either indicates which operating mode the toilet is in or highlights an error (see separate section about troubleshooting).



LIGHT TYPE	LIGHT SIGNAL	STATUS
● Green light	Light stays on	Toilet connected to 12 V power
● Yellow light	Light stays on	Incineration in progress. Incineration will stop if the toilet lid is opened, and the toilet is then ready for use.
● Red light	Flashing	Toilet lid is open.
● Yellow and Red light	Flashes alternately	It is recommended that you empty the ash container.

MAINTENANCE

Cinderella operates in an extreme environment, with high temperatures, acids and exhaust fumes. This results in the need for preventive maintenance of the ash container, pipes, fan and catalytic converter. It is recommended that you use an authorized caravan workshop to carry out maintenance in connection with regular servicing of the caravan/motor home.

HOWEVER, MOST OF THE MAINTAINANCE YOU CAN DO YOURSELF:

CLEANING THE ASH CONTAINER



- The ash container must only be emptied and cleaned when the toilet has cooled down sufficiently.
- Do not use detergents containing chlorine or other abrasive contents, as this can corrode the insert and damage the catalytic converter.

To be carried out every time you empty the ash container (see description on page 7).

1. Remove the ash container.
2. Remove the insert from the ash container and empty out the ash.
3. Pour warm water into the insert to dissolve burnt-on residue and urine salts. Leave the water to stand for one hour.
4. Pour out the water and brush off any residue from the insert. Do not scrape with any metal items as this can damage the surface.

CLEANING THE BOWL



- The toilet must have cooled down.
- Do not use detergents containing chlorine or other abrasive contents.
- Do not use any utensils that could scratch the metal surface on the bowl.

To be carried out as needed or after every third time the ash container is emptied.

1. Open the toilet lid. Press and hold down the start button until the hatch to the bowl opens.
2. The hatch to the bowl will remain open until the toilet lid is closed again. A safety function ensures that the hatch can only be placed in the open position when the toilet has cooled down sufficiently.
3. Clean the bowl with a soft cloth (Illustration 8). Alternatively, you can use paper towels and then drop them into the incineration chamber after cleaning. When finished, close the toilet lid. The hatch to the incineration chamber will then close.

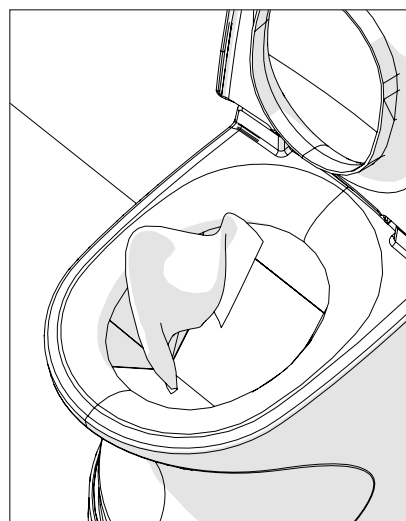


Illustration 8

CLEANING THE CATALYTIC CONVERTER

To be carried out if you suspect poor incineration or a cycle of 30 days' use has been completed.

1. Wait for the toilet to cool down and the fan to stop.
2. Pull the toilet shell out from the rear wall. The shell will automatically move out and up with the help of a inside lifting mechanism and remain in the service position.
3. Lift the shell completely off the lifting mechanism (Illustration 9).
4. Loosen the screw on the fan cover (Illustration 10).
5. Remove the fan cover. Loosen it from the retaining screw by turning it slightly backwards. Then lift it out (Illustration 11).
6. Remove the catalyst pipe with the catalytic converter (Illustration 12).
7. Rinse the catalytic converter in warm water (Illustration 13).
8. Reassemble the parts in reverse order. Make sure that the catalyst pipe is put in the same position as it was before disassembly.
9. Place the toilet chamber back onto the lifting mechanism.
10. Run a dry incineration cycle (by pressing the start button) to dry out the catalytic converter.

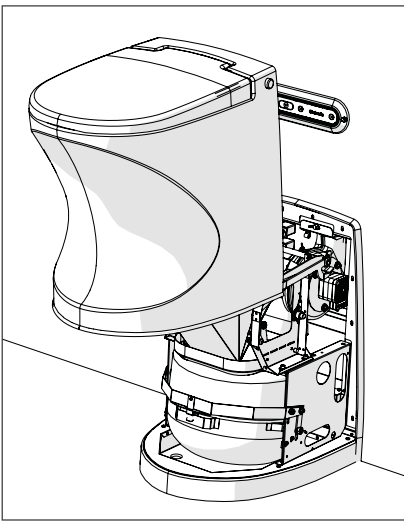


Illustration 9

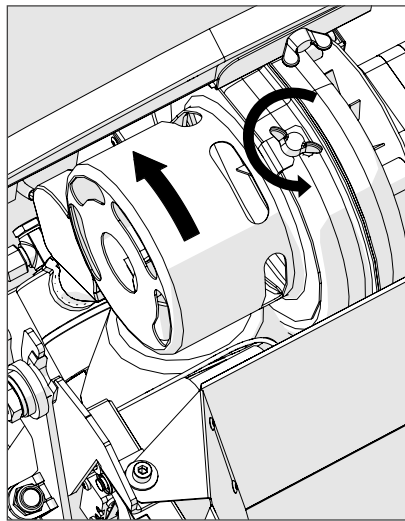


Illustration 10

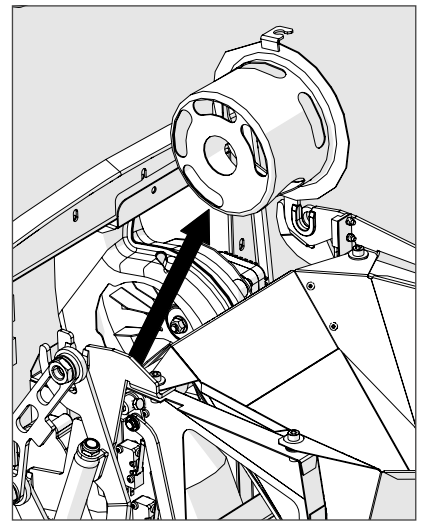


Illustration 11

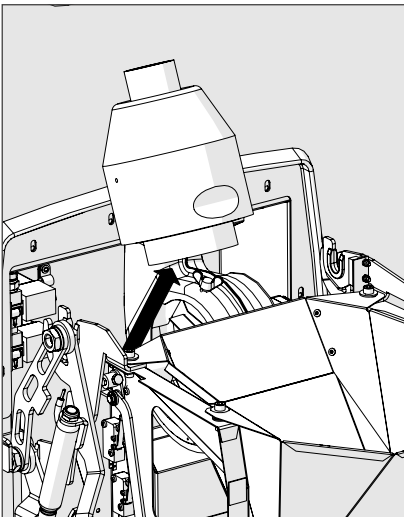


Illustration 12

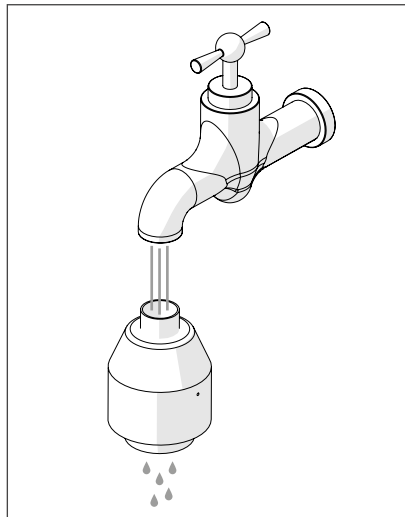


Illustration 13

TROUBLESHOOTING

Error	● Red light	● Yellow light	● Green light	Sound signal	Remedy
Problem with exhaust fan.	Flashing		Flashing	10 beeps	<ol style="list-style-type: none"> 1. Reset the toilet. 2. Open and close the toilet lid. 3. Start incineration. 4. If error recurs, contact dealer/service.
Problem with gas fan.	Flashing	Flashing	Flashing	10 beeps	<ol style="list-style-type: none"> 1. Reset the toilet. 2. Open and close the toilet lid. 3. Start incineration. 4. If error recurs, contact dealer/service.
Problem with gas burner after 3 attempts to ignite it.		Flashing		Continuous beeps	<ol style="list-style-type: none"> 1. Check that the gas is connected. 2. Connect it if necessary and reset the toilet. 3. Reset the thermal switch if needed. 4. Open and close the toilet lid. 5. Start incineration. 6. If error recurs, contact dealer/service.
Hatch is jammed.	Flashing			10 beeps	<p>When toilet is warm:</p> <ol style="list-style-type: none"> 1. Press the start button multiple times without inserting a new bowl liner. 2. Open the lid after each attempt. If this does not work, wait for the toilet to cool down (fan has stopped). <p>When toilet is cold:</p> <ol style="list-style-type: none"> 1. Open the toilet lid and press start. The lid opens. 2. Remove the cause of the blockage.
Ash container is not in correct position.	Flashing	Flashing		3 beeps	Place ash container into correct position.
Error in the temperature sensor		Flashing	Flashing	Continuous	Try to reset the toilet. If this does not work, contact workshop or dealer.
Thermal switch released.		Flashing		Continuous	Reset thermal switch (see separate section).
The ash container is full. The toilet is disabled for use.	Illuminated	Illuminated		Continuous	Empty and clean ash container.
No lights, no sound.					Check that the caravan's/motor home's main switch is on. Check that 12 V voltage is connected.
Burnt smell outside caravan/motor home.					Clean catalytic converter. Ensure that the exhaust pipe is open.
Low voltage < 11.0 V.			Flashing		Resolve the error on the 12 V supply from the car/caravan.
Minimum allowed voltage < 10.5 V. The gas supply is shut off.			Flashing (after 1.5 min)	10 beeps, recurrent	Resolve the error on the 12 V supply from the motor home/caravan.
Critically low voltage. Immediate shut-down.				10 beeps	Resolve the error on the 12 V supply from the motor home/caravan.



NOTICE!

Reset the toilet by holding the start button down for 8 seconds. You can release the button when you hear a long beep.

RESETTING THE THERMAL SWITCH

If the temperature in the chamber becomes too high, a thermal switch will be released. To reset it, stand in front of the toilet and pull the toilet shell out from the rear wall. The thermal switch is on the right side (Illustration 14). Press the button. When you hear and feel a click (tactile feedback), the thermal switch has been reset. If there is no tactile feedback, there are other reasons for the yellow light.

SERVICE

Cinderella Travel operates in an acidic environment and the incineration chamber reaches high temperatures. A service will therefore be required at some point. Remember that preventive maintenance will delay the need for a service significantly.

If the toilet requires a service, contact your dealership and provide the serial number of your toilet so that the workshop is aware of the model and which spare parts may be required to repair your toilet. Please visit www.cinderellaeco.com for a list of our service workshops.

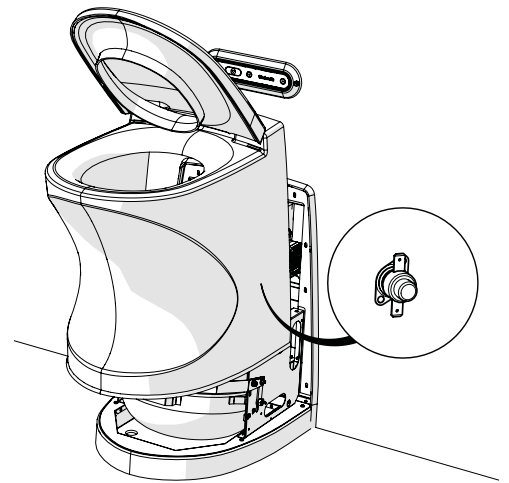
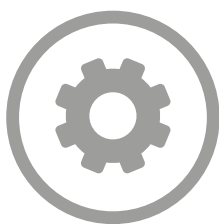


Illustration 14

WARRANTY



What does this Warranty cover?

This warranty covers defects in materials or workmanship in your Cinderella Travel Incineration Toilet on the terms, for the period and subject to the exceptions set out below.

What does this Warranty not cover?

This warranty does not cover normal wear and tear, or damage caused by accidents, force majeure, abuse, misuse, failure to follow manufacturer directions or improper maintenance. Consequential and incidental damages are not recoverable under this warranty. Cinderella Eco Group does not apply an "on-site" warranty. This means that the toilet must be transported to an authorized dealer who can do the service. If this is not possible, a transport cost may be charged by the dealer.

How long does the Warranty apply?

This warranty lasts for a period of three (3) years from the original date of purchase.

How do I arrange a service?

To arrange a service, contact your motorhome/caravan dealer or visit an Authorised Service Provider. Available service options are dependent upon the country in which service is requested.

You may be required to furnish proof of purchase details when making a claim under this warranty. For further warranty information, please refer to our web page: www.cinderellaeco.com

Cinderella Eco Group

Sjøvikvegen 67
NO-6475 Midsund
Norway
www.cinderellaeco.com

SOMMAIRE

Sécurité	15
Utilisation de gaz dans les caravanes/camping-cars.....	15
Informations générales de sécurité concernant Cinderella Travel	15
Fiche technique	16
Description	16
Fonctionnement des toilettes	18
Utilisation (fonctionnement)	18
Avant l'utilisation.....	18
Utilisation des toilettes	18
Informations générales sur l'utilisation de Cinderella Travel.....	18
Vidage de la boîte à cendres	19
Utilisation hivernale.....	20
Voyants lumineux	20
Entretien	21
Nettoyage de la boîte à cendres	21
Nettoyage de la cuvette	21
Nettoyage du catalyseur	22
Résolution des pannes	23
Réinitialisation de l'interrupteur thermique	24
Garantie	25

SÉCURITÉ

LISEZ ATTENTIVEMENT LES INSTRUCTIONS ! VEUILLEZ CONSERVER LE MANUEL DE L'UTILISATEUR POUR UNE CONSULTATION ULTÉRIEURE.

GAZ DANS LES CARAVANES/CAMPING-CARS

L'utilisation et le stockage du gaz nécessitent de prendre certaines précautions. Inspectez la bonbonne, les tuyaux flexibles, les tubes et raccords avant utilisation.

Sur les terrains de camping, les caravanes et camping-cars sont proches les uns des autres, et les gens utilisent des matériaux inflammables, des appareils de cuisson, des barbecues et autres sources de chaleur. Nous vous conseillons donc de prendre connaissance des règles de sécurité du terrain de camping et de vérifier que votre détecteur de fumée et votre extincteur fonctionnent correctement.

Les bonbonnes de propane doivent toujours être conservées en position verticale et ne doivent jamais être exposées à une chaleur anormale ni à une chaleur solaire intense. Faites attention aux fuites possibles de propane. N'oubliez pas que le propane est plus lourd que l'air. En cas de fuite, le gaz s'accumulera au niveau du sol de votre véhicule. Les fuites de gaz peuvent rendre l'air explosif ; il peut alors s'enflammer en présence d'une flamme nue, d'une cigarette ou d'une étincelle électrique.

Détectez les fuites en appliquant de l'eau savonneuse sur les flexibles et les raccords des tuyaux. Lorsque vous ouvrez le gaz, des bulles se formeront en cas de fuite de gaz. En cas de fuite, coupez l'alimentation en gaz. N'utilisez pas les toilettes tant que la fuite n'est pas réparée.

Coupez le gaz au niveau de la bonbonne lorsque les toilettes ne sont pas utilisées et n'oubliez pas de débrancher le régulateur pendant les longues périodes d'absence.

Il est recommandé d'installer un détecteur de gaz dans l'espace d'habitation si cela n'a pas encore été fait.

Vous pouvez conduire le véhicule lorsque les toilettes sont en train d'incinérer des déchets. Pour votre sécurité, nous recommandons d'installer un régulateur de pression de gaz équipé d'un capteur d'impact près de la bonbonne ou du réservoir de gaz.

Veillez à ce que l'appareil à gaz soit toujours en bon état, mais n'essayez pas de réparer les dommages ou anomalies vous-même.

En cas de mauvais fonctionnement, veuillez contacter votre fournisseur.

INFORMATIONS GÉNÉRALES DE SÉCURITÉ CONCERNANT CINDERELLA TRAVEL

Cinderella Travel est équipé de divers dispositifs de sécurité :

- L'alimentation en gaz est toujours coupée par une valve à commande électronique lorsque les toilettes ne sont pas en mode d'incinération.
- Le système contrôle l'incinération et un détecteur de flammes détecte la présence de flammes dans l'incinérateur. Si l'incinérateur ne s'allume pas, l'alimentation en gaz est coupée et une alarme sonore et visuelle se déclenche.
- Le détecteur de flammes coupe l'alimentation en gaz si la flamme s'éteint en cas de remontée de flamme dans le brûleur ou d'un rapport gaz/air incorrect.
- Le volet de la cuvette et la trappe de la chambre d'incinération ne s'ouvriront pas tant que l'abattant des toilettes n'est pas abaissé. Ceci empêche tout accès à la chambre d'incinération.
- L'incinération cesse lorsque l'abattant des toilettes est relevé.
- En présence d'une température élevée à l'intérieur de la chambre d'incinération, l'interrupteur thermique se déclenche et la combustion s'arrête. L'interrupteur thermique doit être réinitialisé manuellement avant de pouvoir utiliser de nouveau les toilettes. Voir la section « Dépannage ».
- La coque externe des toilettes est faite d'un matériau composite ignifuge.
- L'incinération ne peut se faire si la boîte à cendres n'est pas correctement installée.
- L'extracteur des toilettes est programmé de manière à fonctionner jusqu'à ce que la chambre d'incinération ait suffisamment refroidi.
- La chambre à incinération et le tuyau d'échappement sont isolés avec un matériau résistant aux températures élevées.
- Toutes les toilettes sont soumises à des tests avant leur commercialisation.

CERTIFICATIONS ET NORMES APPLICABLES

Cet appareil a été testé et certifié par UL selon les normes ANSI Z21.61 Toilettes à gaz, Edition 2 01/01/1983 & CSA CGA 5.2 Toilettes sans eau au gaz, 12/1971. L'installation doit également être conforme aux codes nationaux et locaux, y compris les normes suivantes, le cas échéant:

ÉTATS-UNIS:

- ANSI/NFPA 70, code électrique national (NEC)
- ANSI/NFPA 1192, Code des véhicules récréatifs
- Titre 24 CFR, partie 3280, Norme de construction et de sécurité des maisons préfabriquées
- Code national du gaz combustible,
- ANSI Z223.1/NFPA 54

CANADA:

- CSA C22.1, parties 1 et 2, Code canadien de l'électricité
- CSA Z240 RV Series, véhicules récréatifs
- CSA Z240.4, Véhicules récréatifs et habitations mobiles à équipé au gaz
- CSA B149.1, Code d'installation du gaz naturel et du propane CERTIFICATION

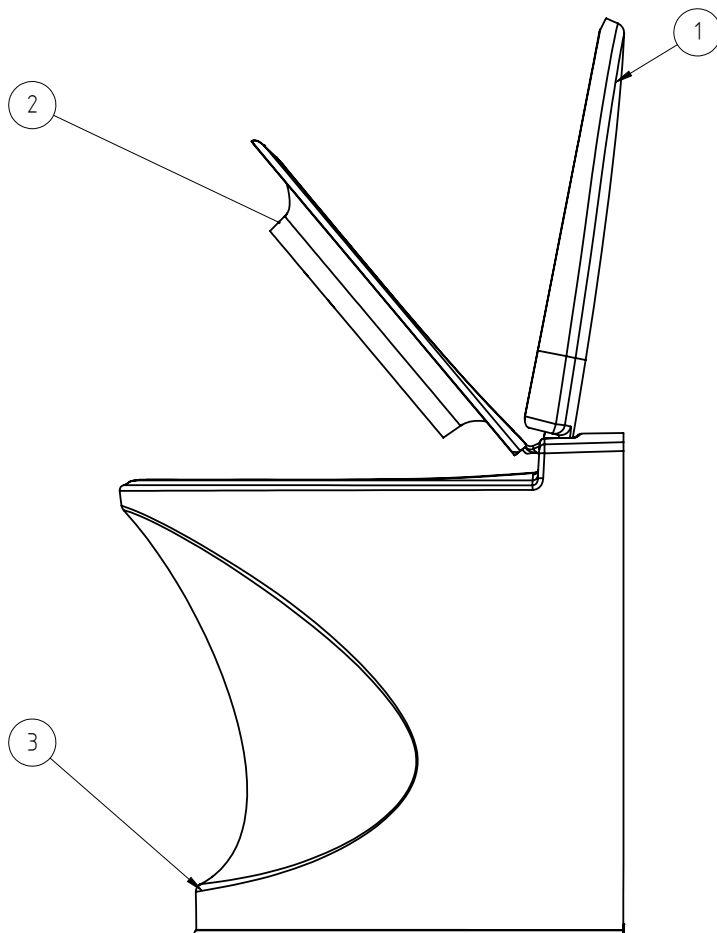
FICHE TECHNIQUE

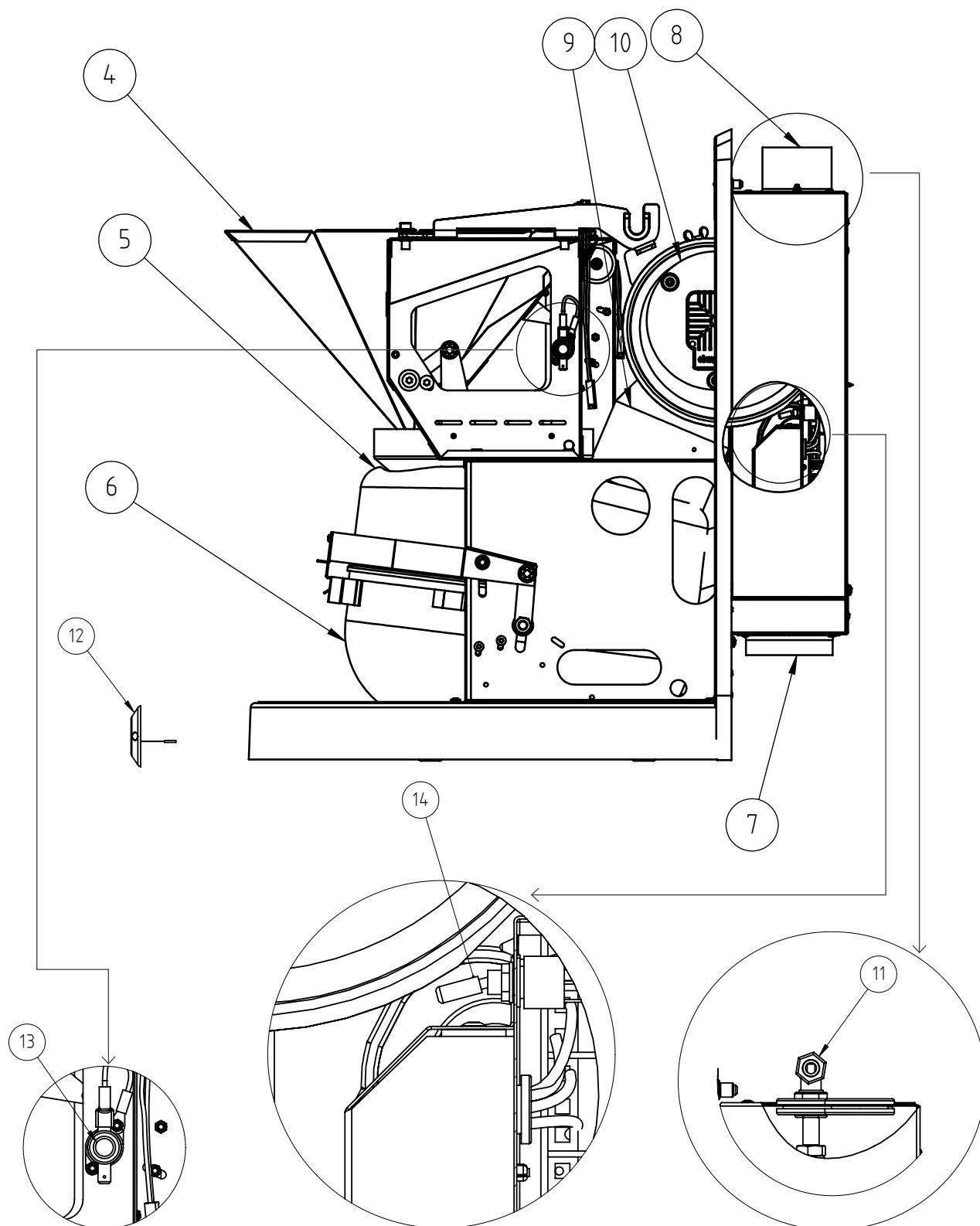
Poids	44 lbs (20 kg)
Hauteur	21 1/4" (540 mm)
Hauteur de siège	19 19/64" (490 mm)
Largeur	15 3/8" (390 mm)
Profondeur	23 1/4" (590 mm)
Capacité	3-4 visites par heure
Consommation électrique en veille	0.005 A
Charge de pointe	4.0 A
Consommation électrique (incinération)	1.3 A
Consommation de gaz	140-180 g par incinération
Extracteur	12V DC
Gaz	Propane (Pression 12 in. WC)
Alimentation électrique	12V DC / 4 Amp (11-14.4V)
Puissance maximale du brûleur	10.500 BTU/h



N'utilisez pas les toilettes à une fréquence excédant la limite de capacité. Cela entraînerait un débordement, des odeurs ou des fuites dans la chambre d'incinération et pourrait endommager les toilettes.

DESCRIPTION





1	Abattant	8	Tuyau d'échappement
2	Siège	9	Catalyseur
3	Coque	10	Ventilateur
4	Cuvette	11	Raccord gaz
5	Chambre d'incinération	12	Panneau de commande
6	Boite à cendres	13	Protection contre les hautes températures
7	Admission d'air	14	Interrupteur secteur

FONCTIONNEMENT DES TOILETTES

Après avoir utilisé les toilettes, le sac et son contenu tombent dans la chambre d'incinération. Une chaleur élevée et de l'air sont injectés pour provoquer l'évaporation de tout liquide, puis le reste des déchets est incinéré et transformé en cendres. La chaleur résiduelle et la fumée sont rejetées par le tuyau d'évacuation. Un catalyseur empêche les odeurs désagréables.

UTILISATION (FONCTIONNEMENT)

AVANT L'UTILISATION

1. Vérifiez que les toilettes sont branchées.
2. Vérifiez que le propane est raccordé.
3. Utilisez exclusivement du propane ou du GPL.

UTILISATION DES TOILETTES

1. Relevez l'abattant et la lunette. Le voyant rouge clignote et le voyant vert s'allume. L'extracteur se met automatiquement en marche.
2. Placez le sac dans la cuvette, vérifiez que le bord du sac est aligné avec le « bord » de la cuvette. N'oubliez pas d'utiliser un nouveau sac à chaque visite (illustration 1).
3. Abaissez la lunette. Vous pouvez maintenant utiliser les toilettes (illustration 2).
4. Utilisez les toilettes. Ajoutez une tasse d'eau aux petites quantités de déjections afin que le sac soit suffisamment lourd pour tomber dans la chambre à incinération.
5. Baissez l'abattant des toilettes.
6. Appuyez sur la touche Start/Marche (illustration 3). Lorsque le clapet est refermé, l'incinération commence. Les toilettes sont prêtes pour une nouvelle utilisation.
7. Le voyant jaune du panneau de commande indique que l'incinération est en cours. Le voyant reste allumé pendant toute la durée de l'incinération.

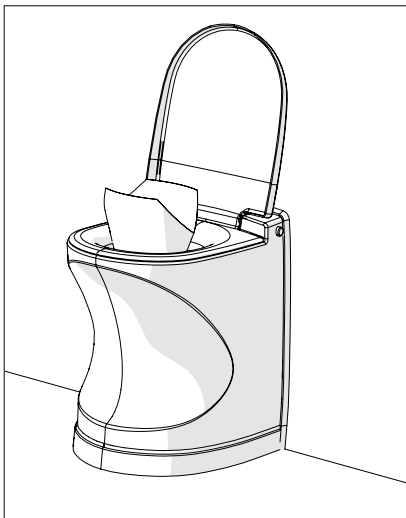


Illustration 1

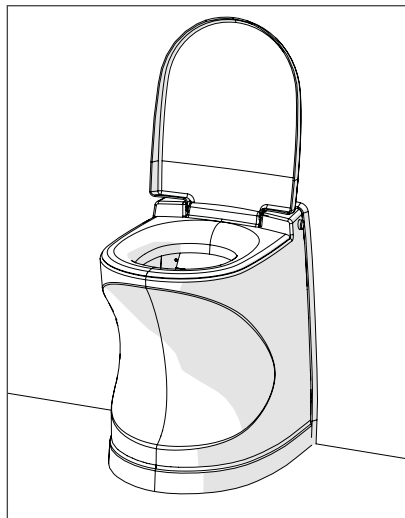


Illustration 2

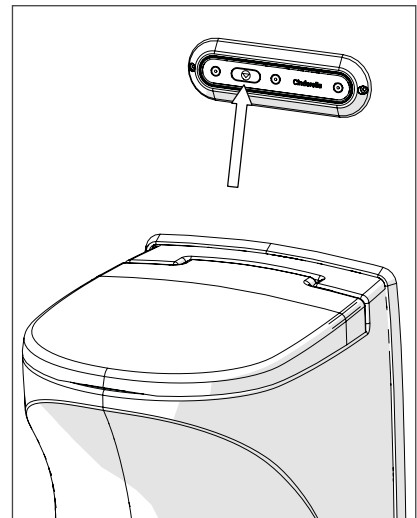


Illustration 3

INFORMATIONS GÉNÉRALES CONCERNANT L'UTILISATION DE CINDERELLA TRAVEL

Vérifiez que la boîte à cendres est correctement en place.

1. Veillez à toujours placer un sac dans la cuvette avant toute utilisation. L'abattant des toilettes doit toujours être abaissé lorsque les toilettes ne sont pas utilisées.
2. L'incinération ne peut pas commencer tant que l'abattant n'est pas abaissé.
3. Si l'abattant est relevé, l'incinération en cours cessera. Les toilettes sont alors prêtes à l'emploi. Après chaque utilisation, l'incinération est à nouveau lancée en appuyant sur la touche Start/Marche du panneau de commande. Les toilettes détectent automatiquement la fin de l'incinération.
4. Le voyant jaune du panneau de commande s'éteint lorsque l'incinération est terminée. L'extracteur s'arrête lorsque la température de la chambre d'incinération est suffisamment basse (1 - 1,5 heure après la fin de l'incinération).

VIDAGE DE LA BOÎTE À CENDRES

Il est conseillé de vider la boîte à cendres une fois par semaine ou lorsque le signal de la vider (voyants jaune et rouge clignotant en alternance sur le panneau de commande) se déclenche après environ 70 cycles d'incinération.

1. Attendez que les toilettes soient suffisamment refroidies et que l'extracteur se soit arrêté. Ne coupez pas l'alimentation 12 V.
2. Retirez la coque de son raccord à la cloison arrière. Pour faciliter le retrait de la coque, tirez avec vos doigts sur les « boutons » (Illustration 4).
3. La coque basculera et se déplacera automatiquement vers le haut grâce au mécanisme de levage intérieur, puis restera en position d'entretien.
4. libérez le ressort de blocage et relevez la trappe située à l'avant de la boîte à cendres (Illustration 5).
5. Sortez la boîte à cendres. Retirez le réceptacle de la boîte à cendres et jetez les cendres (Illustration 6).
6. Nettoyez le réceptacle afin d'éliminer les sels uriques et les résidus de combustion collés. Lisez les instructions concernant le nettoyage le plus efficace du réceptacle à la section « Entretien ».
7. Remplacez le réceptacle dans la boîte à cendres.
8. Remettez la boîte à cendres en place en la poussant à fond de manière à pouvoir la verrouiller.
9. Remettez la trappe en position initiale et verrouillez la boîte à cendres.
10. Abaissez la coque en appuyant des deux mains sur la partie arrière du haut du couvercle des toilettes (Illustration 7). Veillez à ce que le châssis intégré dans la cloison (le bord blanc) soit bien appuyé contre le bord de la coque.

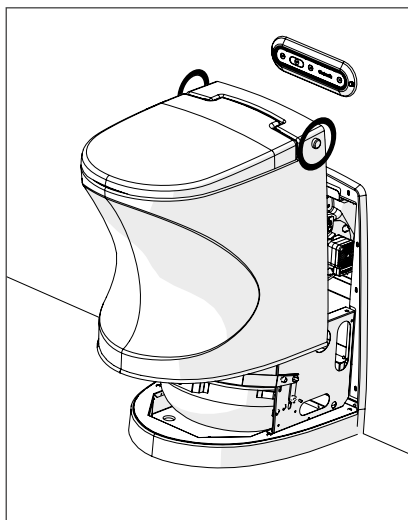


Illustration 4

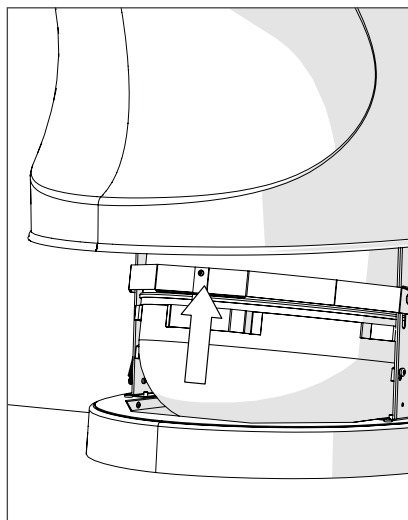


Illustration 5

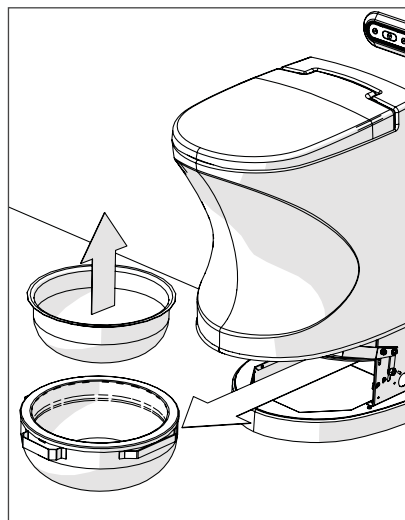


Illustration 6

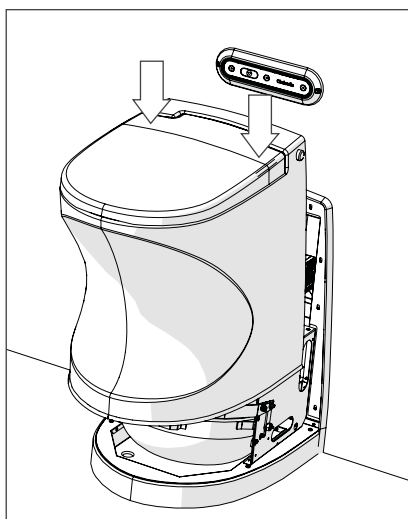


Illustration 7



REMARQUE!

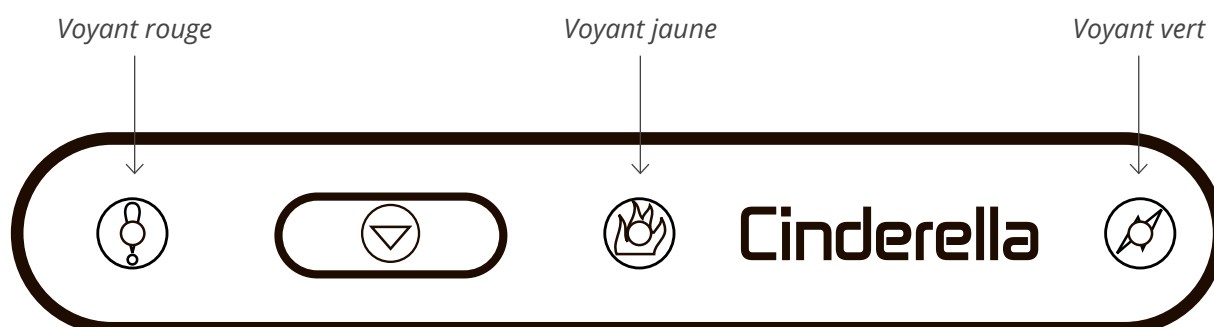
Les cendres sont propres et exemptes de bactéries et de pathogènes. Vous pouvez les jeter avec les déchets ménagers. Toutefois, certains pays publient parfois des restrictions ; veuillez donc vous renseigner sur les réglementations nationales applicables et jeter les cendres de manière appropriée.

UTILISATION HIVERNALE

Si les toilettes seront utilisées dans des endroits où la neige est susceptible de s'accumuler sur le toit de votre caravane/camping-car, veuillez utiliser la rallonge du tuyau d'extraction fournie. Celle-ci évite que le tuyau d'échappement ne soit obstrué par la neige, ce qui réduirait le débit d'air et empêcherait une incinération suffisante. REMARQUE N'oubliez pas de retirer la rallonge pendant le transport.

VOYANTS

Le panneau de commande comprend trois voyants : rouge, jaune et vert. Lorsque l'un des voyants est allumé, cela indique soit le mode de fonctionnement des toilettes, soit une erreur (voir la section Dépannage)



TYPE DE VOYANT	SIGNAL LUMINEUX	STATUT
● Voyant vert	Voyant reste allumé	Toilettes branchées à l'alimentation 12 V
● Voyant jaune	Voyant reste allumé	Incinération en cours. L'incinération cessera si l'abattant des toilettes est relevé ; les toilettes sont alors prêtes à l'emploi.
● Voyant rouge	Clignotant	Abattant des toilettes relevé.
● ● Voyants jaune et rouge	Clignotent en alternance	Il est recommandé de vider la boîte à cendres.

ENTRETIEN

Les toilettes Cinderella fonctionnent dans un milieu extrême incluant chaleur, acides et gaz d'échappement. . En conséquence, il est nécessaire d'effectuer un entretien préventif de la boîte à cendres, des tuyaux, du ventilateur et du catalyseur. Il est recommandé de faire appel à un atelier agréé pour effectuer l'entretien nécessaire dans le cadre de la maintenance régulière de votre de votre caravane/camping-car.

TOUTEFOIS, VOUS POUVEZ EFFECTUER UNE GRANDE PARTIE DE L'ENTRETIEN VOUS-MÊME :

NETTOYAGE DE LA BOÎTE À CENDRES

! REMARQUE!

- Videz et nettoyez la boîte à cendres uniquement lorsque les toilettes ont suffisamment refroidi.
- N'utilisez pas de détergents à base de chlore car ils risquent de provoquer la corrosion du réceptacle de la boîte à cendres et d'endommager le catalyseur.

À effectuer à chaque fois que vous videz la boîte à cendres (voir la description page 67).

1. Retirez la boîte à cendres.
2. Retirez le réceptacle de la boîte à cendres et videz les cendres.
3. Remplissez le réceptacle d'eau chaude afin de dissoudre les résidus de combustion et les sels uriques. Laissez tremper pendant une heure.
4. Jetez l'eau et brossez pour retirer les résidus du réceptacle. Ne pas utiliser d'objets métalliques pour ne pas endommager la surface.

NETTOYAGE DE LA CUVETTE

! REMARQUE!

- Les toilettes doivent avoir refroidi.
- N'utilisez pas de détergents à base de chlore ou abrasifs.
- N'utilisez pas d'objets susceptibles de rayer le métal de la cuvette.

À effectuer lorsque cela est nécessaire ou une fois sur 3 lorsque vous videz la boîte à cendres.

1. Relevez l'abattant. Maintenez le bouton de démarrage appuyé jusqu'à ouverture du volet de la cuvette.
2. Le volet de la cuvette restera ouvert jusqu'à ce que l'abattant soit abaissé. Une fonction de sécurité permet au volet de rester en position ouverte uniquement lorsque les toilettes ont suffisamment refroidi.
3. Nettoyez l'intérieur de la cuvette avec un chiffon humide (illustration 8). Vous pouvez également utiliser du papier absorbant qui pourra être jeté dans la chambre d'incinération après le nettoyage. Le nettoyage terminé, abaissez l'abattant des toilettes. La trappe de la chambre d'incinération se fermera.

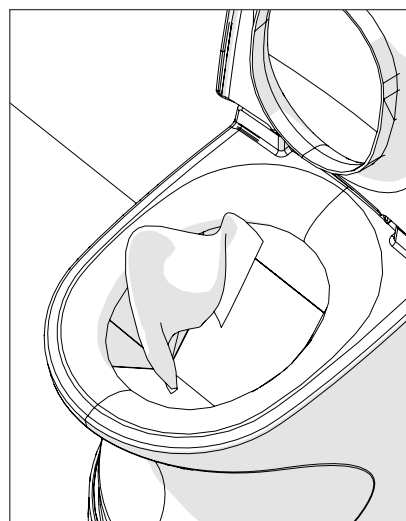


Illustration 8

NETTOYAGE DU CATALYSEUR

À effectuer si vous suspectez une mauvaise incinération ou après chaque cycle de 30 jours d'utilisation.

1. Attendez que les toilettes aient refroidi et que l'extracteur se soit arrêté.
2. Tirez sur la coque des toilettes pour la détacher de la cloison arrière. La coque se déplacera automatiquement vers le haut grâce à un mécanisme de levage intérieur, puis restera en position d'entretien.
3. Soulevez entièrement la coque du mécanisme de levage (Illustration 9).
4. Dévissez la vis du couvercle de l'extracteur (illustration 10).
5. Retirez le couvercle de l'extracteur. Libérez-le de la vis de blocage en le tournant légèrement vers l'arrière. Puis retirez-le (illustration 11).
6. Retirez le tuyau du catalyseur et le catalyseur (illustration 12).
7. Rincez le catalyseur sous de l'eau tiède (illustration 13).
8. Remontez les pièces dans l'ordre inverse. Vérifiez que le tuyau du catalyseur est dans la même position qu'avant le démontage.
9. Replacez la chambre d'incinération sur le mécanisme de levage.
10. Effectuez une combustion (en appuyant sur le bouton Start/Marche) afin de sécher le catalyseur.

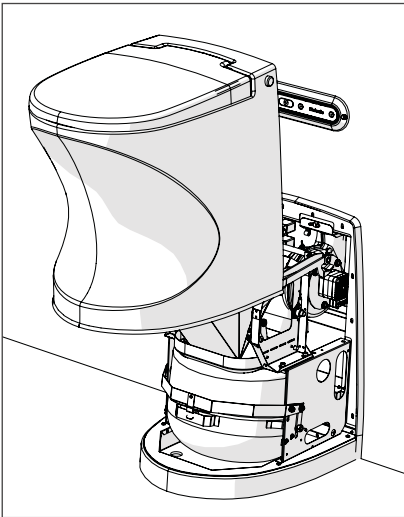


Illustration 9

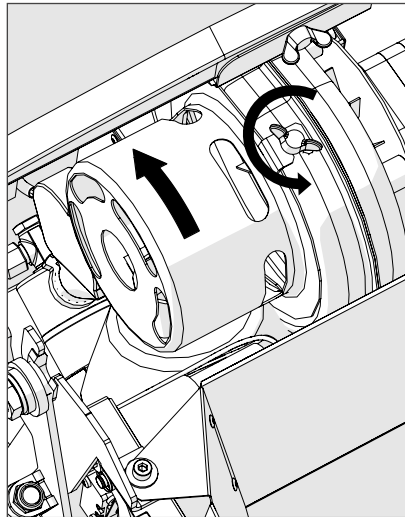


Illustration 10

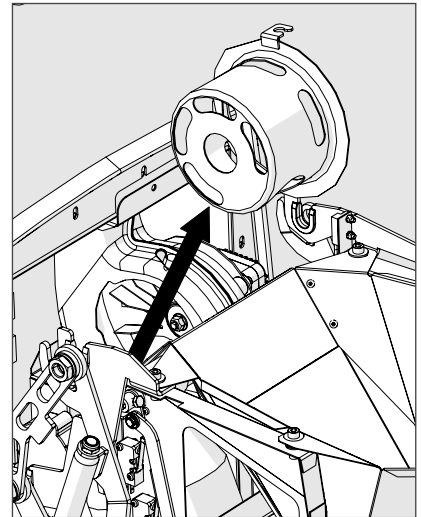


Illustration 11

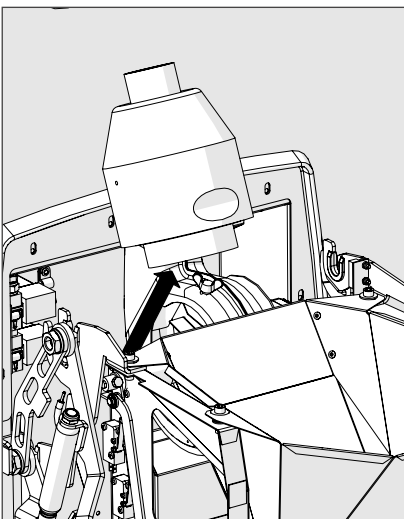


Illustration 12

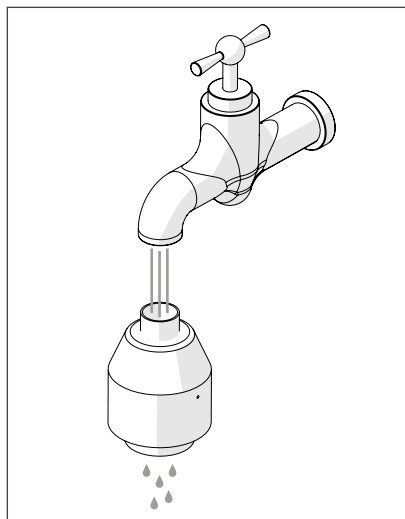


Illustration 13

DÉPANNAGE

Erreur	● Voyant rouge	● Voyant jaune	● Voyant vert	Signal sonore	Résolution
Problème avec l'extracteur.	Clignotant		Clignotant	10 bips	<ol style="list-style-type: none"> Réinitialiser les toilettes. Relever puis abaisser l'abattant des toilettes. Commencer l'incinération. Si l'erreur persiste, contactez le revendeur/le service après-vente.
Mauvais fonctionnement du ventilateur du gaz.	Clignotant	Clignotant	Clignotant	10 bips	<ol style="list-style-type: none"> Réinitialiser les toilettes. Relever puis abaisser l'abattant des toilettes. Commencer l'incinération. Si l'erreur persiste, contactez le revendeur/le service après-vente.
Problème avec le brûleur à gaz après trois tentative d'allumage.		Clignotant		Continu bips	<ol style="list-style-type: none"> Vérifier que le gaz est bien branché. Brancher éventuellement et réinitialiser les toilettes. Réinitialiser l'interrupteur thermique si nécessaire. Relever puis abaisser l'abattant des toilettes. Commencer l'incinération. Si l'erreur persiste, contactez le revendeur/le service après-vente.
La trappe est coincée.	Clignotant			10 bips	<p>Lorsque les toilettes sont chaudes :</p> <ol style="list-style-type: none"> Appuyer plusieurs fois sur la touche de démarrage sans mettre un nouveau sac. Relever l'abattant après chaque tentative. Si cela ne résout pas le problème, attendre que les toilettes aient refroidi (l'extracteur s'arrête). <p>Lorsque les toilettes sont froides :</p> <ol style="list-style-type: none"> Relever l'abattant et appuyer sur Start/Marche. L'abattant s'ouvre. Retirer ce qui bloque.
La boîte à cendres n'est pas correctement en place.	Clignotant	Clignotant		3 bips	Positionner correctement le bac à cendres.
Erreur du capteur de température		Clignotant	Clignotant	Continu	Essayer de remettre en marche les toilettes. Si cela ne marche pas, contacter l'atelier ou le distributeur.
Interrupteur thermique déclenché.		Clignotant		Continu	Réinitialiser l'interrupteur thermique (voir la section qui lui est consacrée).
La boîte à cendres est pleine. Les toilettes ne peuvent pas être utilisées.	Allumé	Allumé		Fixe	Vider puis nettoyer la boîte à cendres.
Aucun signal lumineux ou sonore.					Vérifier que le commutateur principal de la caravane/du camping-car est enclenché. Vérifier que la tension 12 V est connectée.
Odeur de brûlé à l'extérieur de la caravane/du camping-car.					Nettoyer le catalyseur. Vérifier que le tuyau d'échappement est ouvert.
Tension basse < 11,0 V.			Clignotant		Résoudre le problème de l'alimentation 12 V du camping-car/de la caravane.
Tension minimum permise < 10,5 V. L'alimentation en gaz est coupée.			Clignotant (au bout de 1,5 minute)	10 bips, récurrents	Résoudre le problème de l'alimentation 12 V du camping-car/de la caravane.
Tension dangereusement basse. Couper immédiatement l'alimentation				10 bips	Résoudre le problème de l'alimentation 12 V du camping-car/de la caravane.



REMARQUE!

Les toilettes sont réinitialisées en appuyant pendant 8 secondes sur le bouton Start/Marche. Relâchez le bouton lorsque vous entendez un long bip.

RÉINITIALISATION DE L'INTERRUPTEUR THERMIQUE

Si la température dans la chambre est trop élevée, un interrupteur thermique se déclenche. Pour le réinitialiser, tirez sur les toilettes pour les détacher de la cloison arrière. L'interrupteur thermique se trouve sur le côté droit (illustration 14). Appuyez sur le bouton. Lorsque vous entendez et sentez un clic (retour tactile), cela signifie que l'interrupteur thermique est réinitialisé. Si vous n'obtenez pas de retour tactile, cela signifie que le voyant jaune est allumé pour d'autres raisons.

ENTRETIEN

Cinderella Travel fonctionne dans un environnement acide et la chambre à incinération atteint des températures élevées. Il est donc possible qu'un entretien soit parfois nécessaire. N'oubliez pas que l'entretien préventif retardera considérablement les besoins de maintenance.

Si vous avez besoin de faire réviser vos toilettes, contactez votre revendeur en indiquant le numéro de série des toilettes afin que l'atelier connaisse le modèle et les pièces de rechange éventuelles nécessaires pour mener à bien toute réparation de vos toilettes. Veuillez vous rendre sur notre site www.cinderellaeco.com pour consulter la liste des ateliers d'entretien.

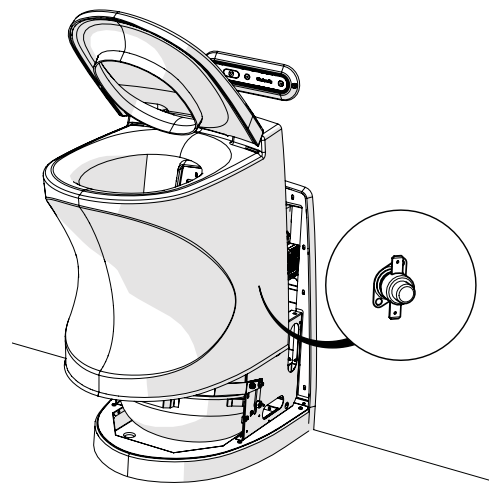
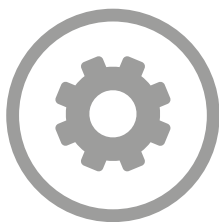


Illustration 14

GARANTIE



Que couvre la garantie ?

La présente garantie couvre les défauts de pièces et de main d'œuvre de vos toilettes à incinération Cinderella Travel selon les conditions, pendant la période et avec les exceptions spécifiées ci-dessous.

Qu'est-ce que la garantie ne couvre pas ?

Cette garantie ne couvre pas l'usure normale ou les dommages dus à des accidents, des catastrophes naturelles, un usage abusif, une mauvaise utilisation, le non-respect des instructions du fabricant ou un entretien inadéquat. Les dommages consécutifs et indirects ne sont pas couverts par la présente garantie. Cinderella Eco Group n'offre pas de garantie « sur place », c'est-à-dire que les toilettes doivent être apportées à un distributeur agréé qui se chargera de l'entretien. Si cela n'est pas possible, il se peut que le distributeur vous facture les frais de transport.

Quelle est la durée de la garantie ?

La présente garantie est valable trois (3) ans à compter de la date d'achat d'origine.

Comment organiser un entretien ?

Pour organiser un entretien, contactez votre revendeur de caravane/camping-car ou rendez-vous chez un fournisseur de services agréé. Les options disponibles dépendent du pays dans lequel l'entretien est souhaité.

Une preuve d'achat peut vous être demandée lorsque vous déposez une réclamation au titre de la présente garantie.

Pour de plus amples informations concernant la garantie, veuillez vous reporter à notre page Web : www.cinderellaeco.com

Cinderella Eco Group

Sjøvikvegen 67
NO-6475 Midsund
Norvège
www.cinderellaeco.com

Document number: InD-000012

Revision number: 01

Travel | PM04CS08EU | Cinderella Travel Owner's Manual for North America | 01.03.2023

Manufacturer:

Cinderella[®]
EcoGroup



Cinderella[®]

INCINERATION TOILETS

Cinderella Eco Group
Sjøvikvegen 67, NO-6475 Midsund, Norway
www.cinderellaeco.com