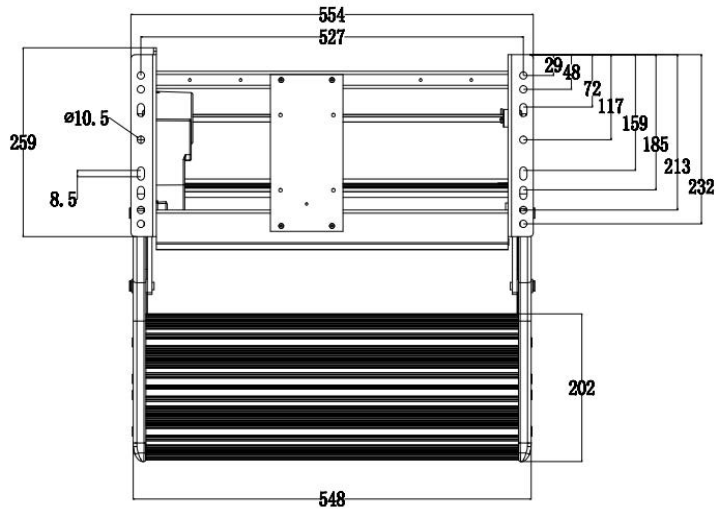
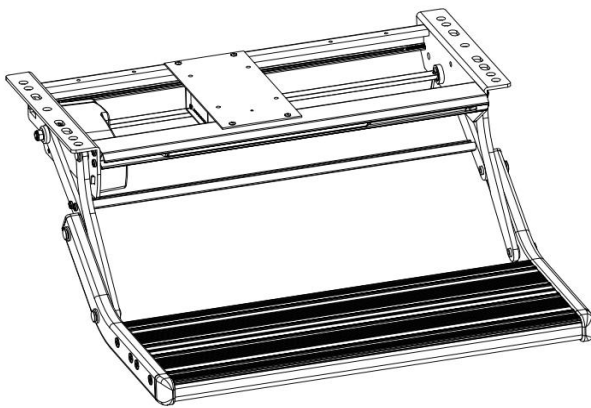


RAESS-5.2 Installation instructions

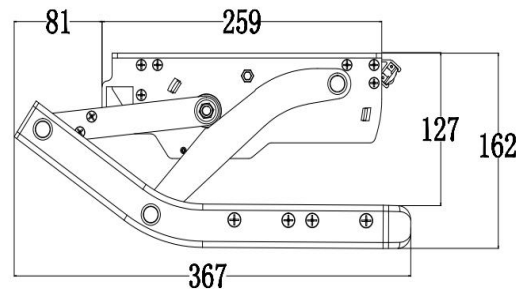
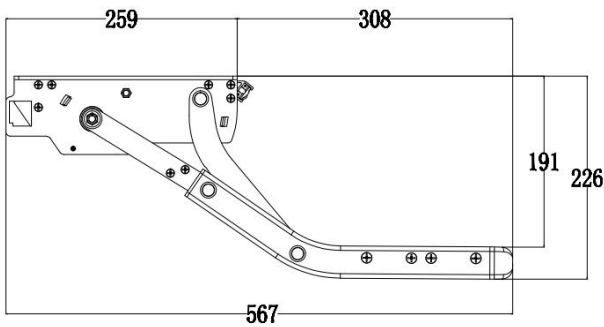
1. Installation: Install the step to the chassis of the RV or motorhome (The installation location is determined by the user)



2. Production parameter:

Product installation width: 554mm;
 Height of the product unfold: 226mm;
 Height of the product fold: 162mm;

3. Dimensions:



4. Power box wiring diagram: :

