

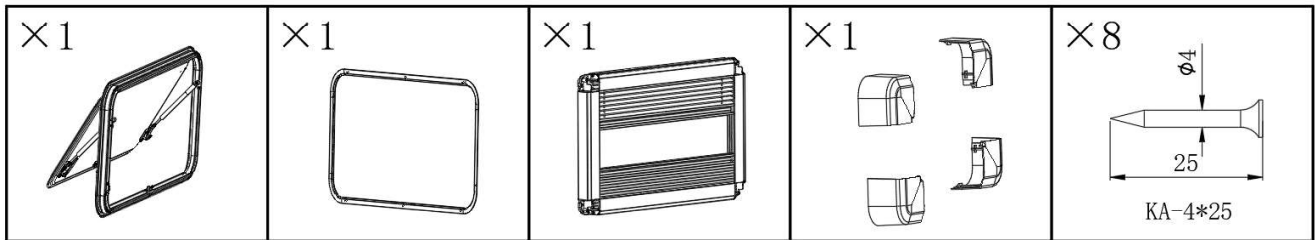
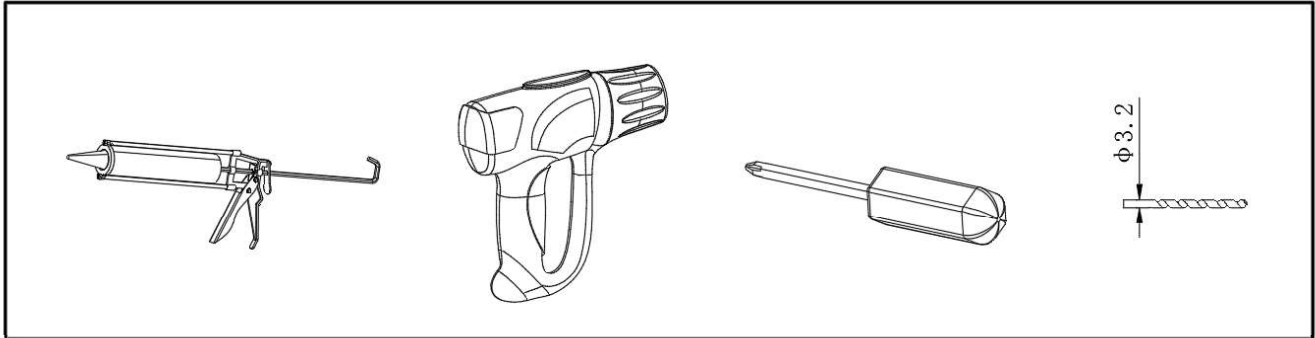
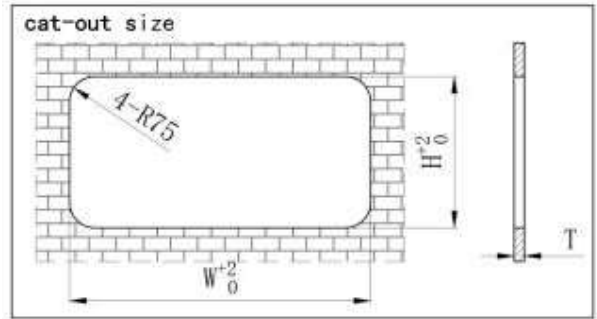
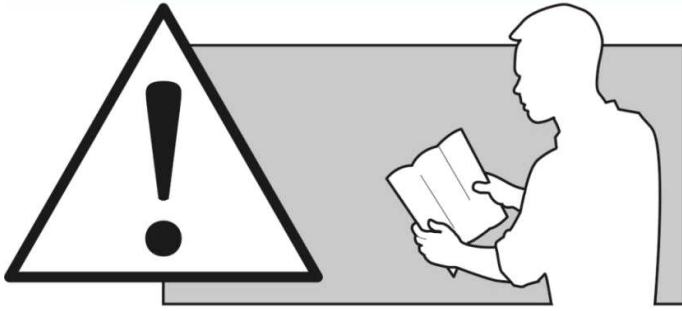


RAW Aluminum Alloy Push-out Window

➤ Installation Instructions

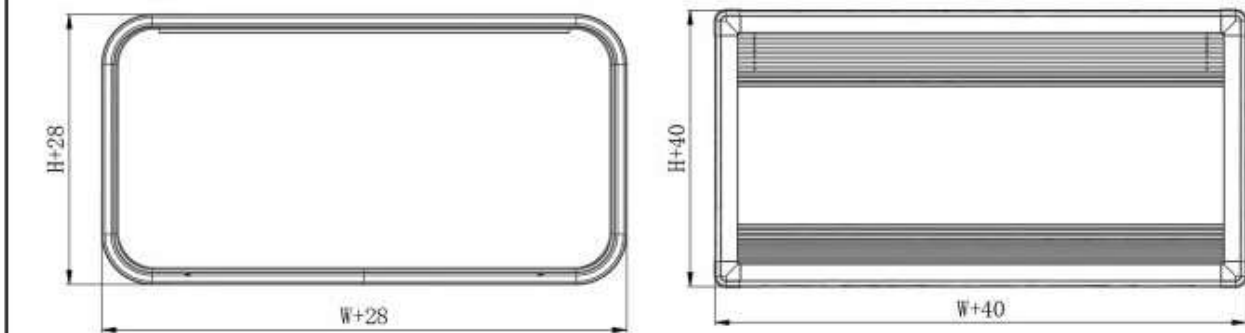


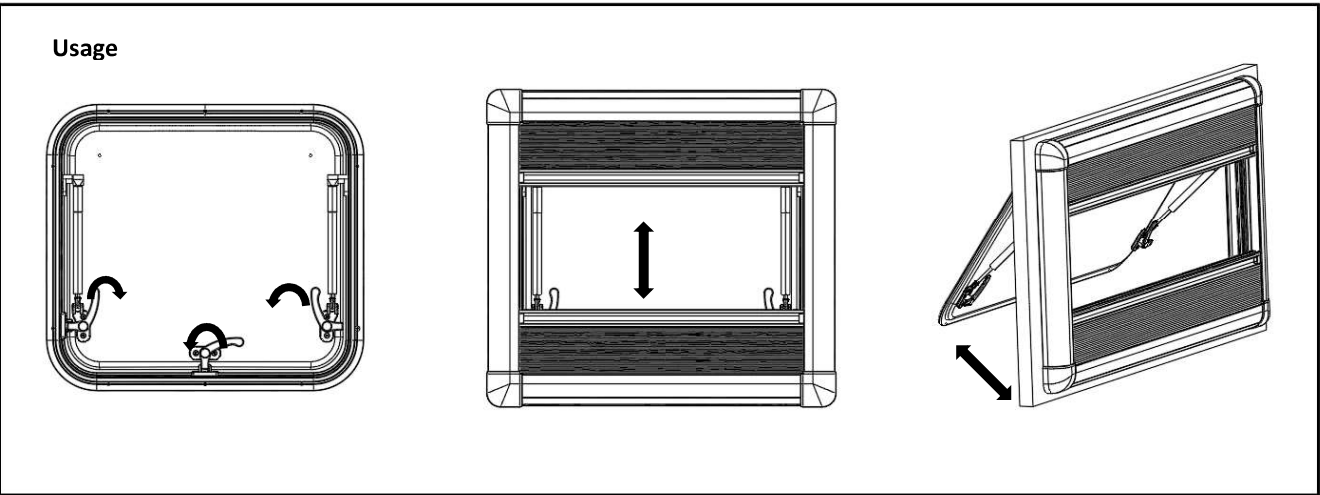
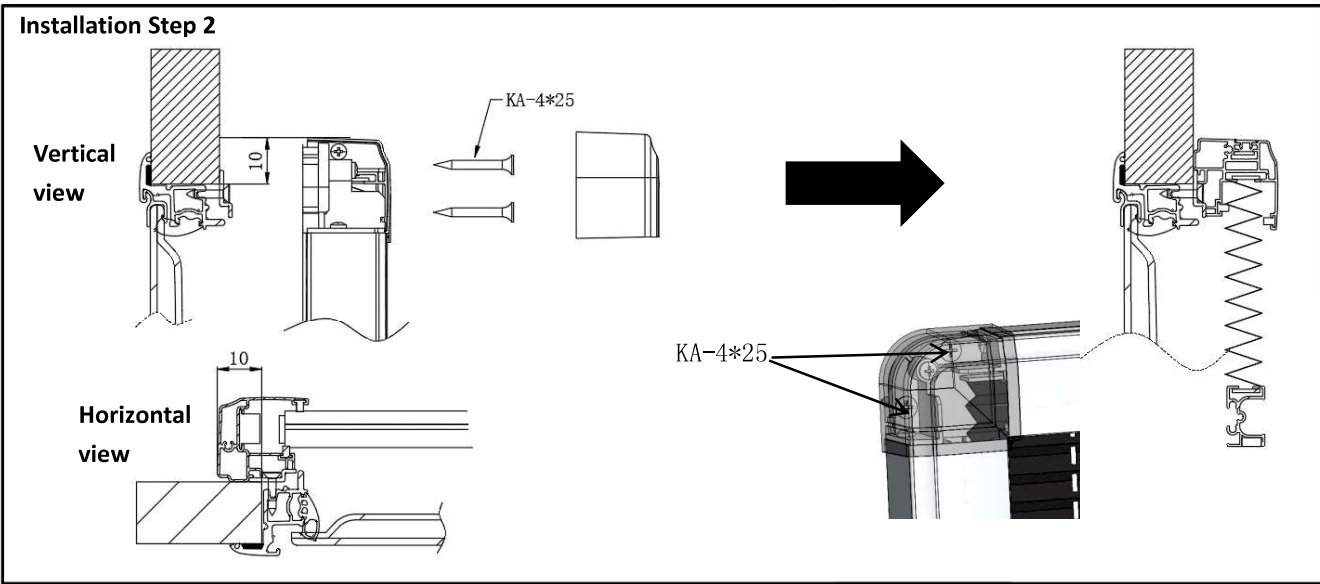
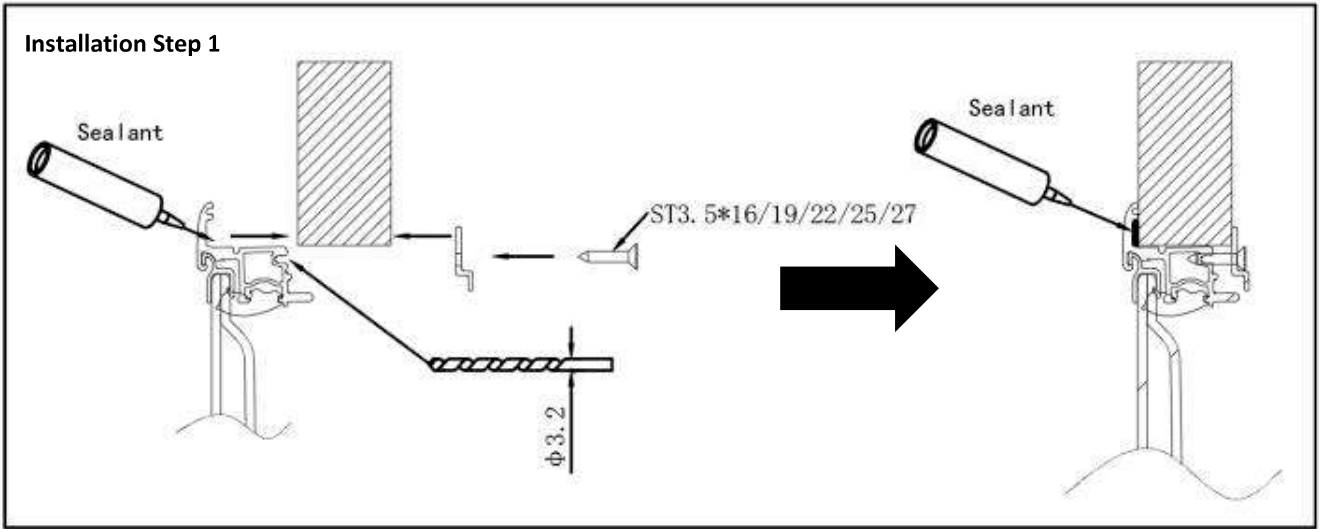
Product Code: RAW



Screw selection (W*H)		500*350	500*450	600*450	700*350	800*450	1000*500	1000*800	1450*550	900*900
T=25		X10	X10	X10	X12	X12	X14	X14	X16	X16
T=27.5		X10	X10	X10	X12	X12	X14	X14	X16	X16
T=30		X10	X10	X10	X12	X12	X14	X14	X16	X16
T=32.5		X10	X10	X10	X12	X12	X14	X14	X16	X16
T=35		X10	X10	X10	X12	X12	X14	X14	X16	X16

Dimension





Installation and Operation Instructions for RAW Aluminum Alloy Push-out Window

1. Read these installation instructions carefully before installation.
Improper installation may cause physical injury or property damage.
2. Never step on the acrylic glass in case of physical injury.
3. Check that there are no wires or other obstacles within the area to be opened for the installation of the window before cutting the wall for the installation.
4. Check that the opening size matches the product size before installing the product.
5. Check that the opening area and the installation area are free of sharp edges, obvious pits, bumps or any other defect before installing the push-out window.
6. Do apply enough sealant to the glue slot of the outer frame to prevent water leakage.
7. It is recommended that holes be made with a drill of $\Phi 3.2$ before installing the platen. If impractical, screws can be used for the installation.
8. When installing the push-out window, apply minimum pressure to the

outer frame of aluminum alloy. Do not apply any pressure to the window glass in case of physical injury.

9. The standard internal mounting frame is only suitable for wall thickness of 25 ~ 30mm; if the wall thickness is either less than 25mm or greater than 30mm, the thickness of the wall should be provided for non-standard internal mounting frames.
10. After the installation is complete, remove all protective films from the push-out window.
11. When cleaning the window, use only water and soft cloths. Do not use any cleaning products or chemicals.
12. If there is any problem with the window, contact the dealer please.