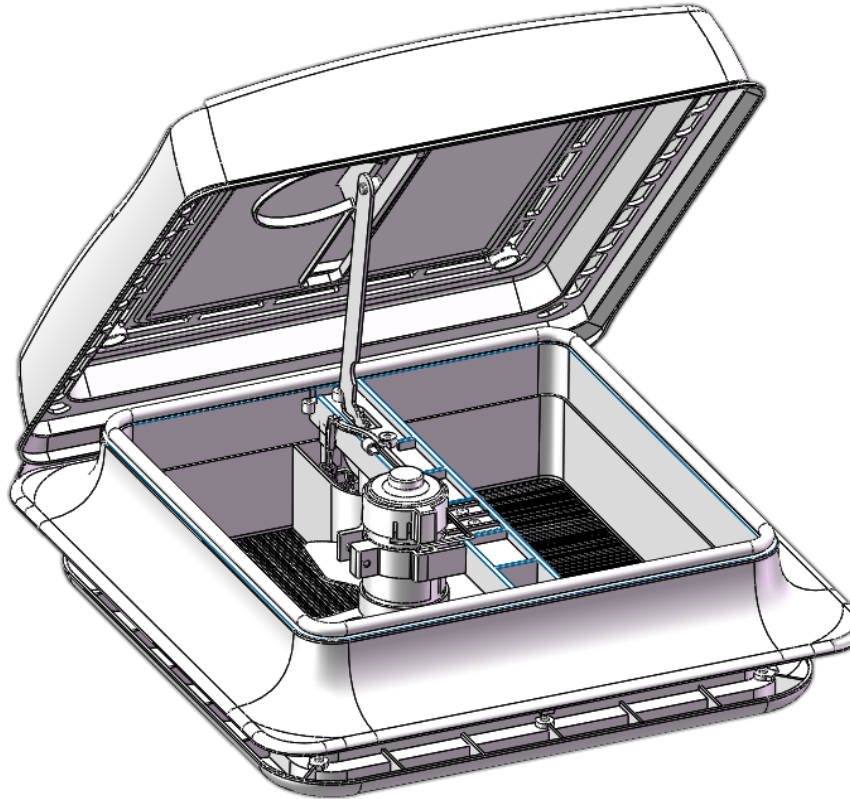




Ranger Shower Hatch

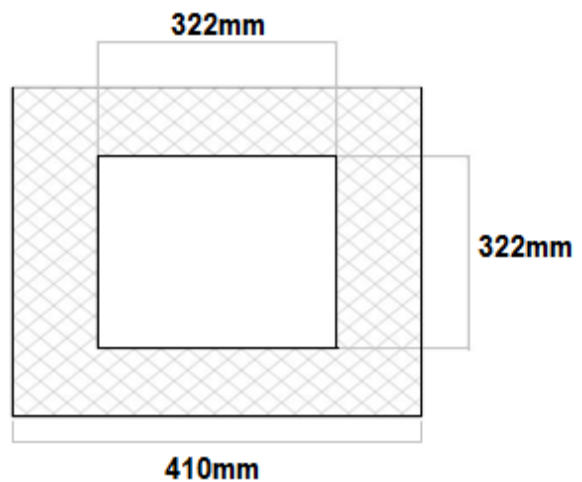
Installation Instructions and Guidelines

Model # RSH-LED

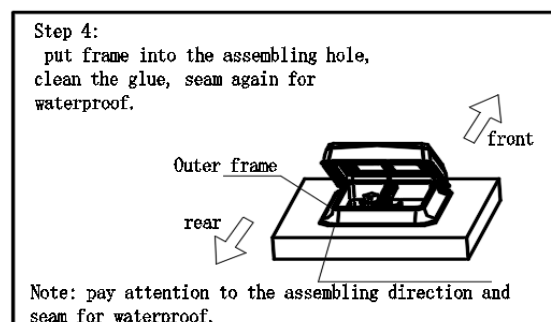
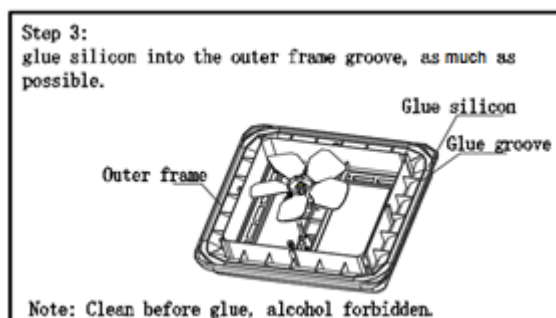
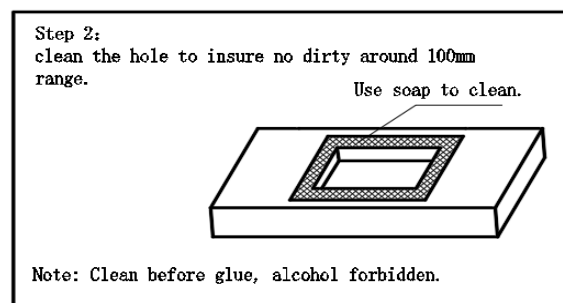
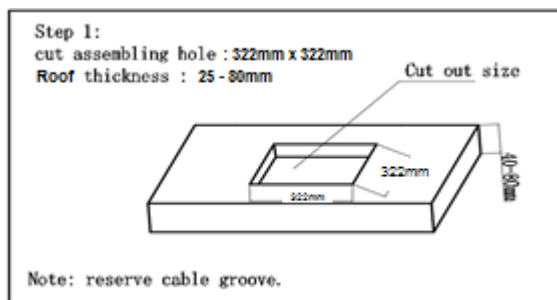


Product Information

- Cutout Dimensions : 322 x 322mm;
- Overall Dimensions: 410 x 410mm;
- Maximum Opening Angle: $\leq 55^\circ$;
- Roof Thickness: 25 - 80mm;
- Height above roof: 85 ± 1 mm;
- Material: ASA, PC;
- Colour: White;
- Applicable voltage: 12V;
- Power: 6W;
- Air Volume: $10-15(m^3/h)$

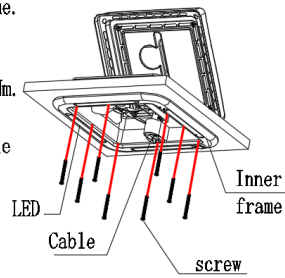


Installation Steps:



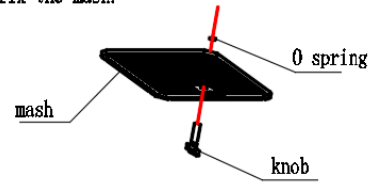
Step 5:
assembling the inner frame.
fix inner frame onto the
wall.

Torque of fixing screw:3Nm.
Connect power cable (RED
cable positive, BLUE cable
negative.)



Note:use $\varnothing 7/4 \times 35$ recessed round-head self-tapping screw

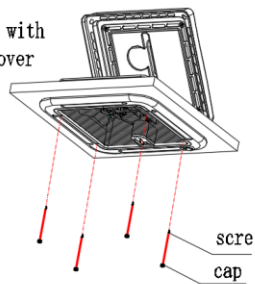
Step 6:
fix knob to the assembling
hole, using "O" spring
into the groove to fix the
mesh.



Note: after the knob go through the hole , fix O
spring.

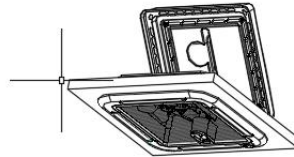
Step 7:
assemble the mesh, fixing with
self-tapping screw, and cover
with cap.

Torque : 3Nm.



Note:use $\varnothing 6/3 \times 8$ recessed round-head self-tapping screw

finish



Instructions for use:

Fan Switch:

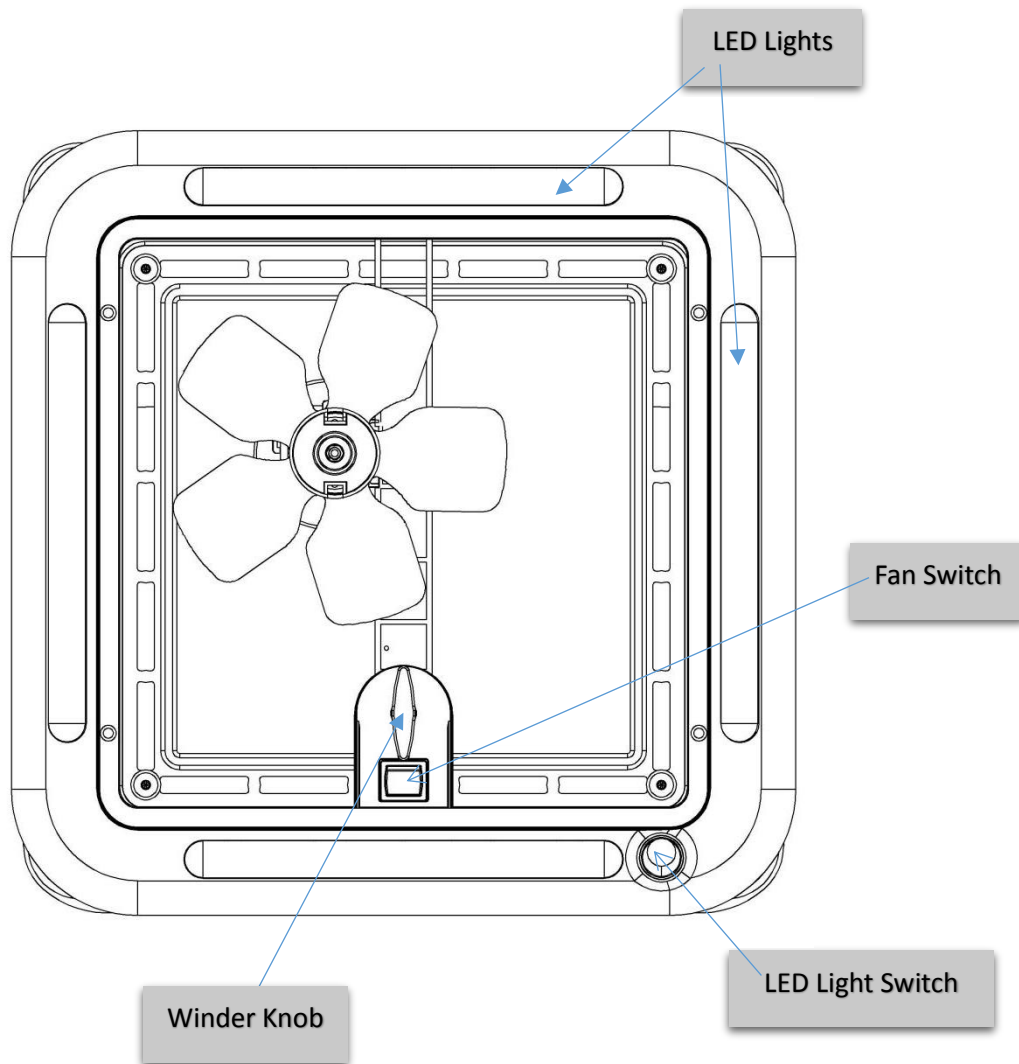
Control the forward and reverse rotation of the fan (that is, the intake and exhaust of the ventilation fan function)

LED Light Switch:

Control LED Lights, on and off

Knob Function:

Use the knob to drive the shower hatch lid up and down



Please note: The shower hatch lid must be closed when driving.